



Shade Quick Guide

Replacing Factory Installed Shade with KWL
Shade for FS Skylights TS2015G

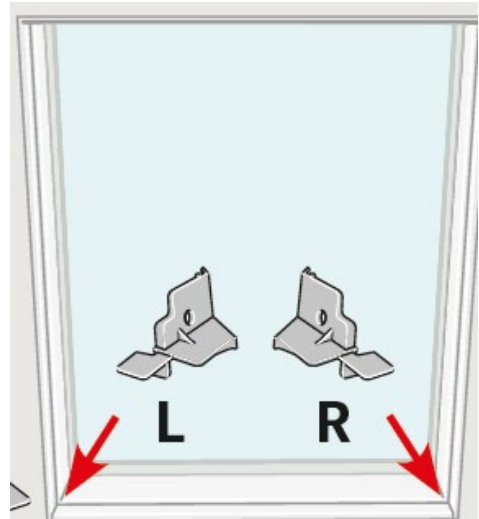


Shade Quick Guide

VELUX®

Instruction for Replacing Factory Installed Shade with KWL Shade on FS Skylight

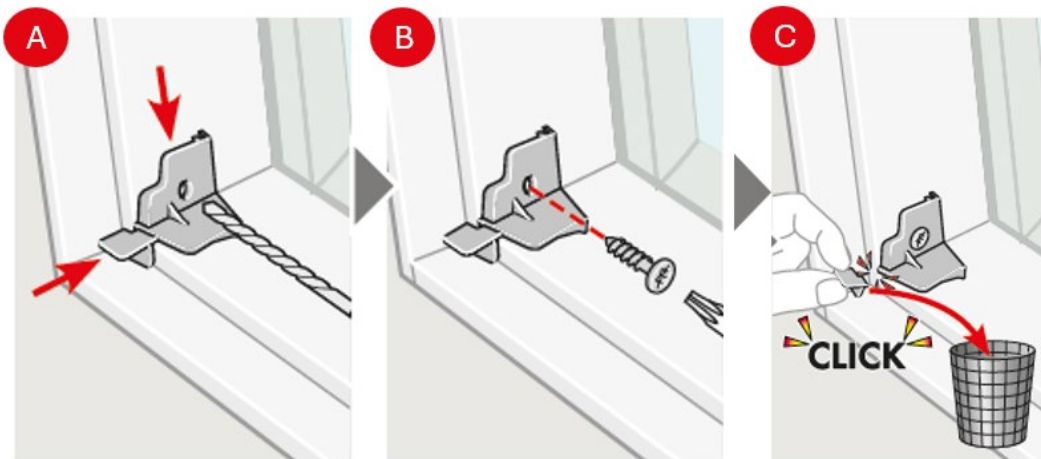
1 Place lower rail alignment brackets



2 **(A)** Align lower rail brackets at each side/bottom corner. Drill pilot hole 1/16" (1.5mm) through hole in bracket.

(B) Secure bracket with T10 torx screw provided.

(C) Snap off alignment tabs and discard.



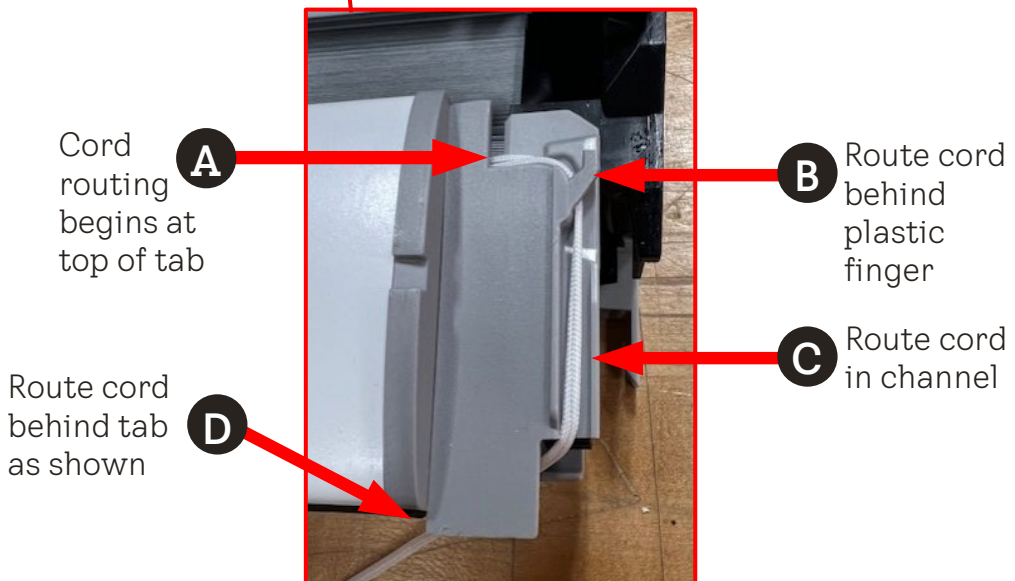
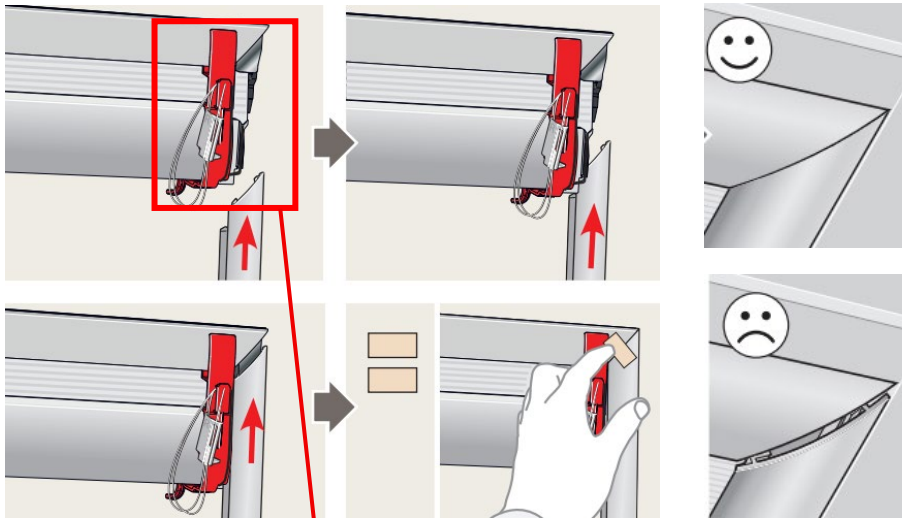
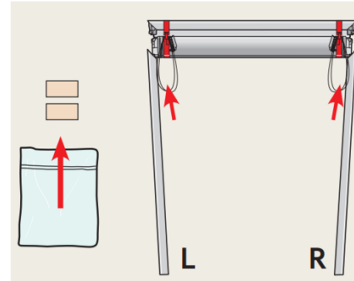
Shade Quick Guide



Instruction for Replacing Factory Installed Shade with KWL Shade on FS Skylight

3

Assemble motor assembly and rails on a flat surface prior to mounting to skylight. Secure rails to assembly with red tape provided.



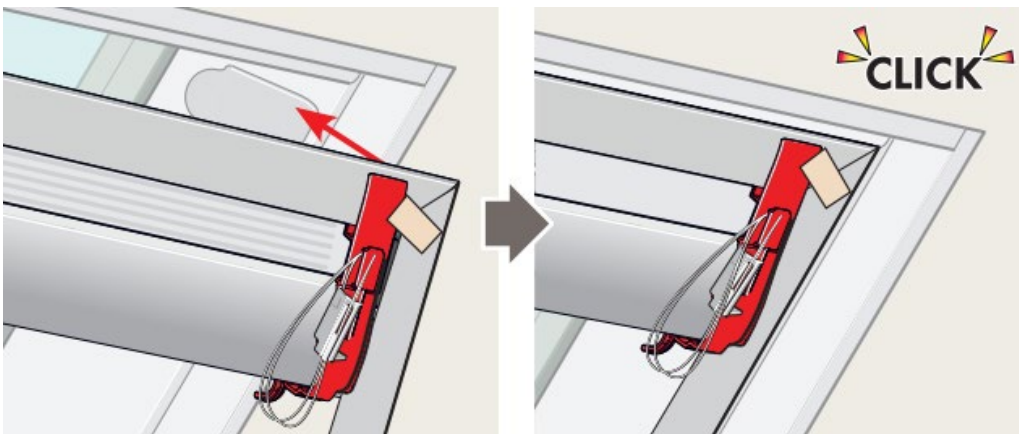
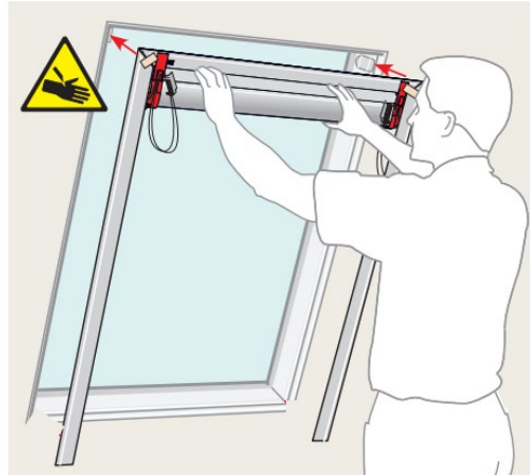
Shade Quick Guide

VELUX®

Instruction for Replacing Factory Installed Shade with KWL Shade on FS Skylight

4

Mount new motor assembly onto upper mounting tabs and click into place.



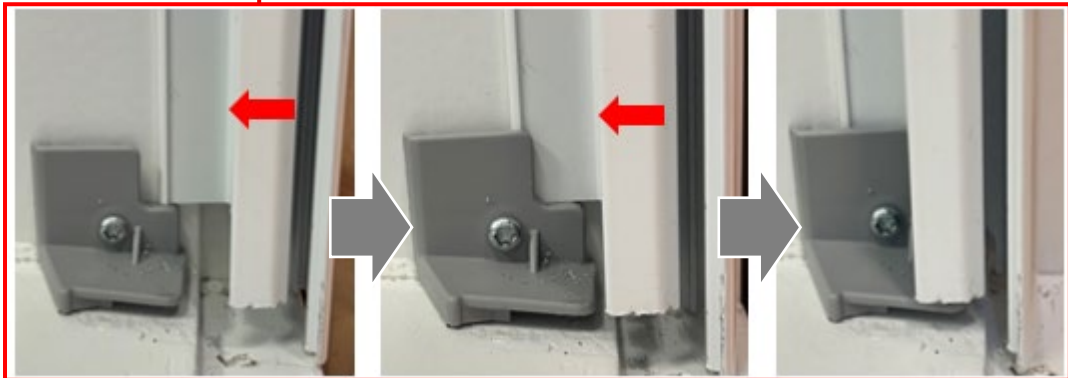
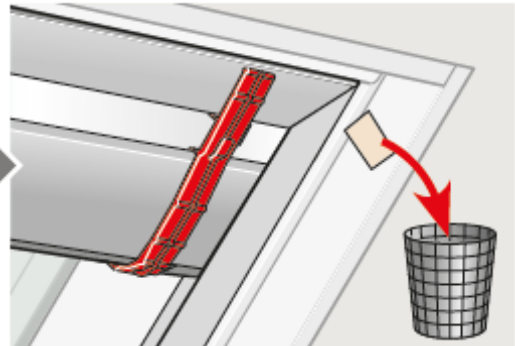
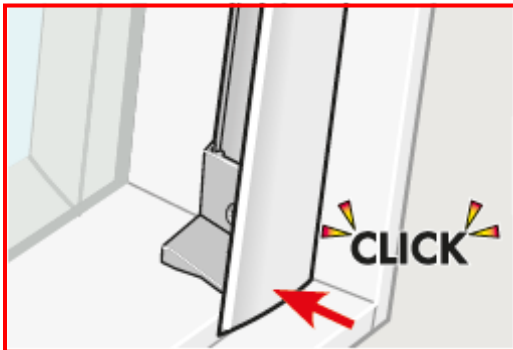
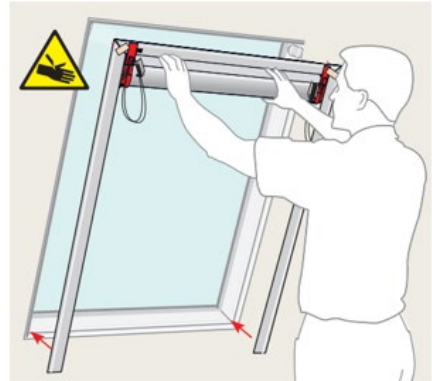
Shade Quick Guide



Instruction for Replacing Factory Installed Shade with KWL Shade on FS Skylight

5

Click bottom of rails to bottom brackets. Remove and discard tape.



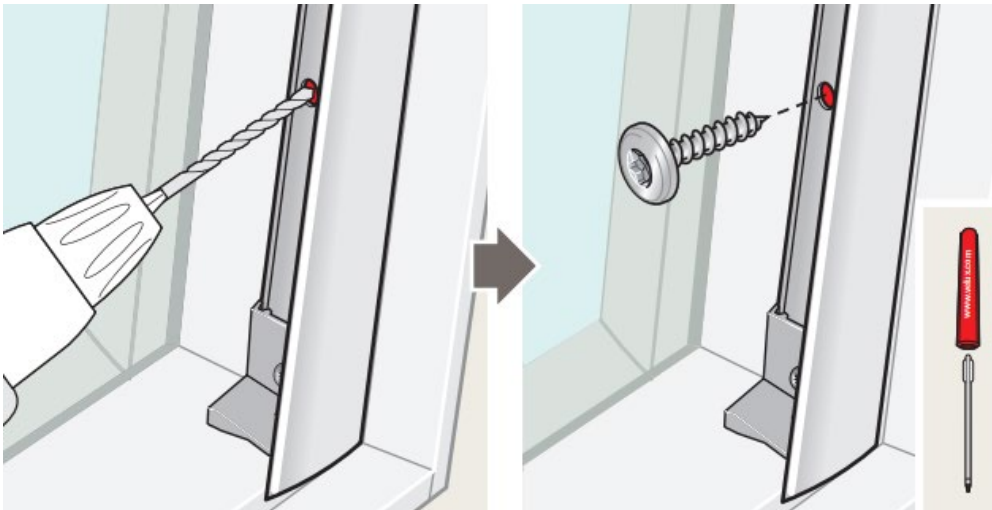
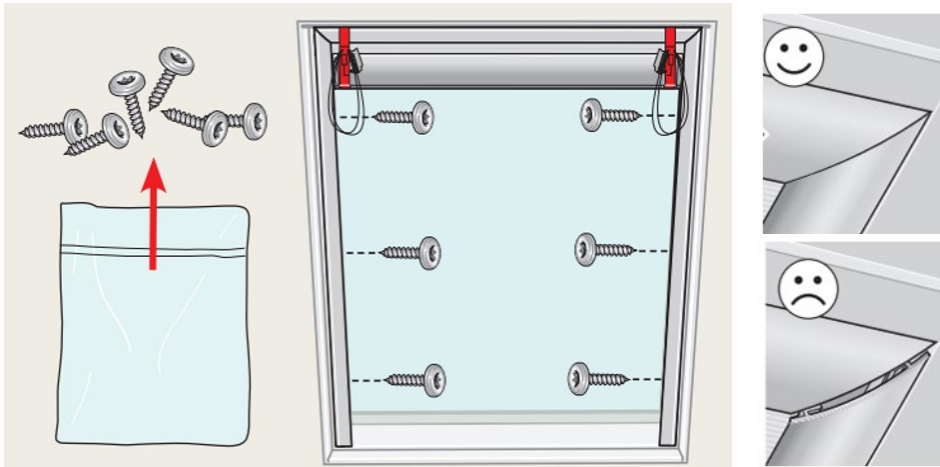
Shade Quick Guide



Instruction for Replacing Factory Installed Shade with KWL Shade on FS Skylight

6

Drill 1/16" pilot hole and secure side rails with T10 torx screws and driver provided.



Shade Quick Guide

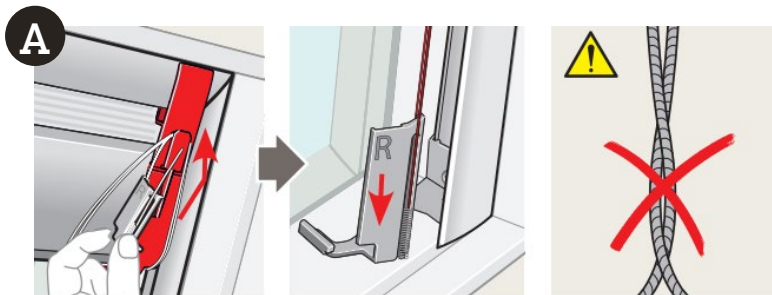
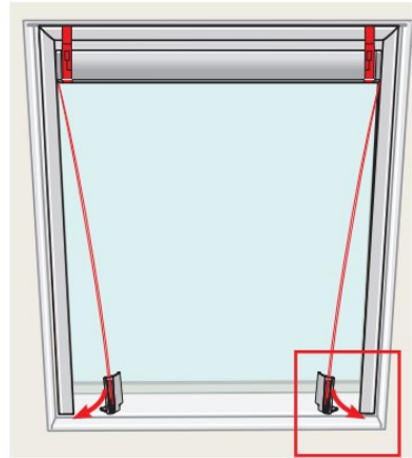


Instruction for Replacing Factory Installed Shade with KWL Shade on FS Skylight

7 (A) Remove cord from red clips and extend to bottom of side rail. Ensure cords are straight and not twisted or knotted.

(B) Insert cord foot into side rail channel with bottom of cord foot under the lower bracket.

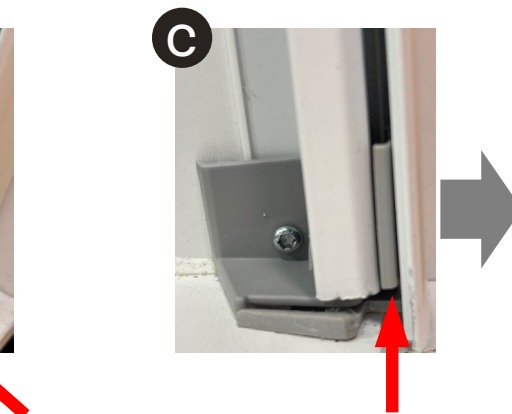
(C) Push cord foot completely into channel until it clicks into place. Cord foot plastic piece cannot be seen in side rail channel if properly installed.



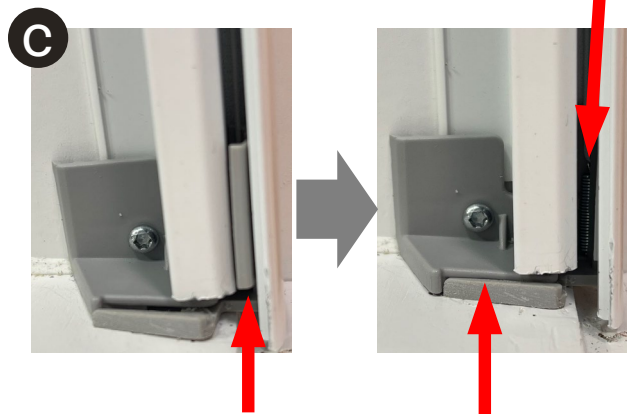
Cord foot cannot be seen when properly installed



Slide cord foot under gray plastic lower rail bracket



Insert cord foot into side rail channel



Cord foot is not completely inserted here.

Cord foot fits tight to bracket

Shade Quick Guide



Instruction for Replacing Factory Installed Shade with KWL Shade on FS Skylight

- 8 Remove red shipping clips and discard.

