



Shade Quick Guide

Replacing Factory Installed Shade with
KWL Shade for Venting Skylights, FCM
and QPF Skylights
TS2014G

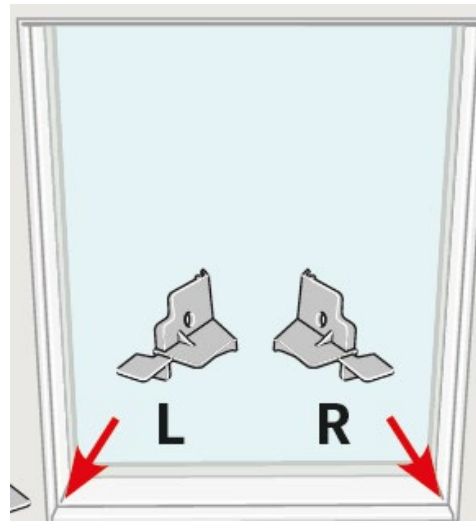
VELUX®

Shade Quick Guide



Instruction for Replacing Factory Installed Shade with KWL Shade on Venting Skylights, FCM and QPF Skylights

- 1 Place lower rail alignment brackets

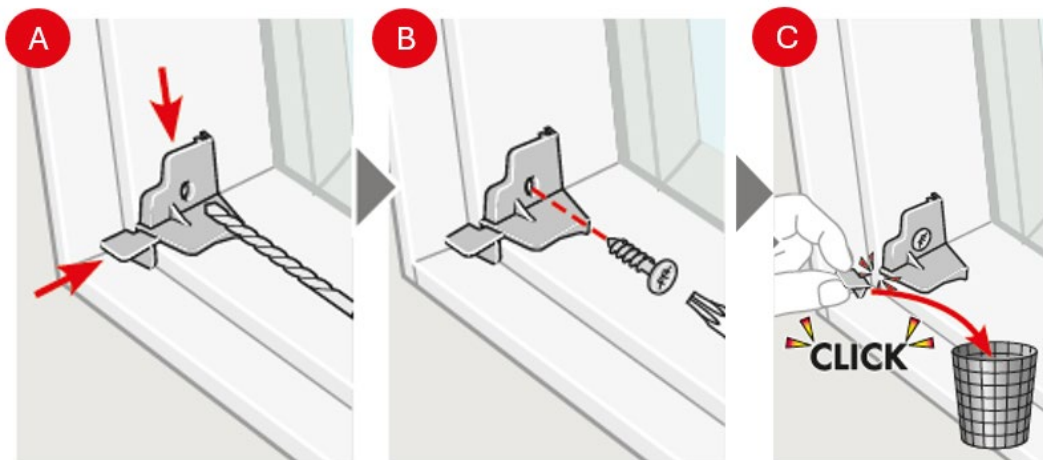


- 2

(A) Align lower rail brackets at each side/bottom corner. Drill pilot hole 1/16" (1.5mm) through hole in bracket.

(B) Secure bracket with T10 torx screw provided.

(C) Snap off alignment tabs and discard.



Shade Quick Guide

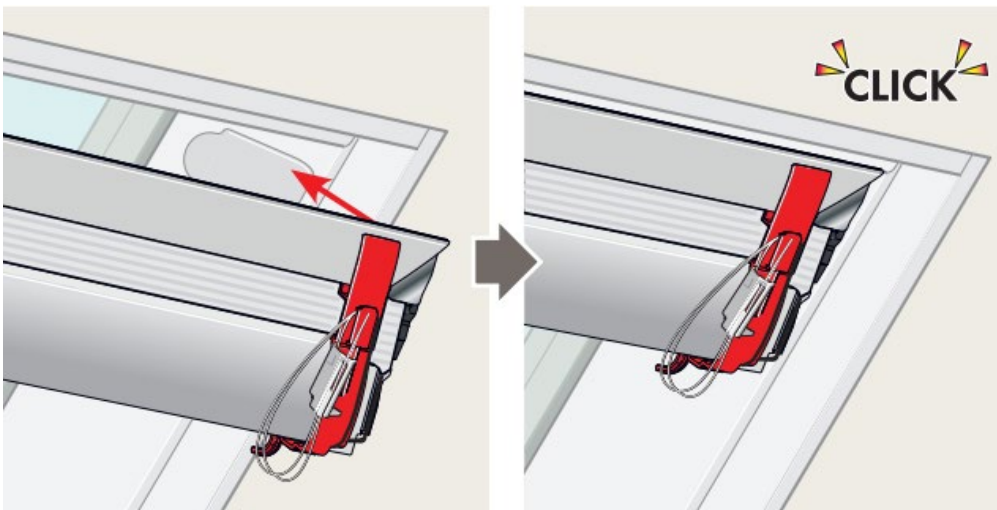
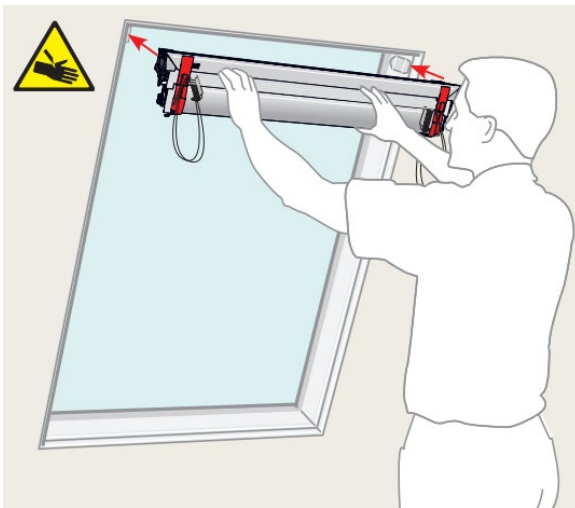


Instruction for Replacing Factory Installed Shade with KWL Shade on Venting Skylights, FCM and QPF Skylights

3

Mount new motor assembly onto upper mounting tabs and click into place.

IMPORTANT: Do not remove red shade clips and keep cords wrapped to red clips!



Shade Quick Guide

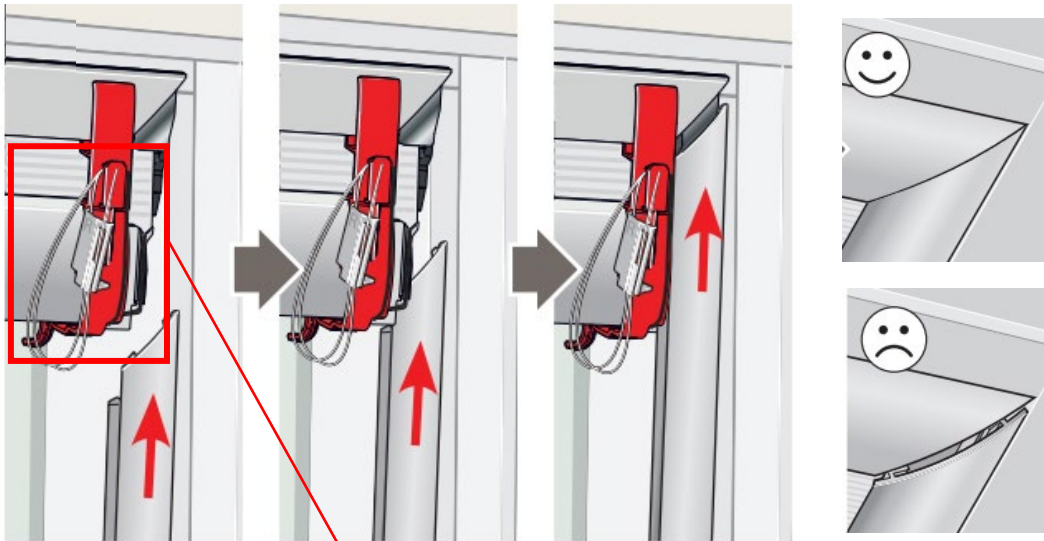


Instruction for Replacing Factory Installed Shade with KWL Shade on Venting Skylights, FCM and QPF Skylights

4

For venting skylights, opening sash 3" to 4" may provide greater clearance for bottom of side rail when sliding rails onto motor assembly.

Slide top of side rails onto motor assembly.

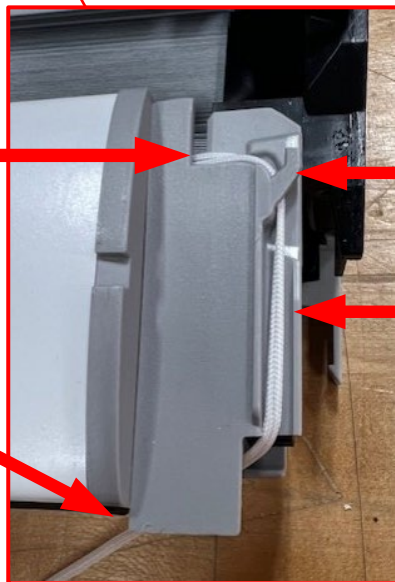


Cord routing begins at top of tab

A

Route cord behind tab as shown

D



B

Route cord behind plastic finger

C

Route cord in channel

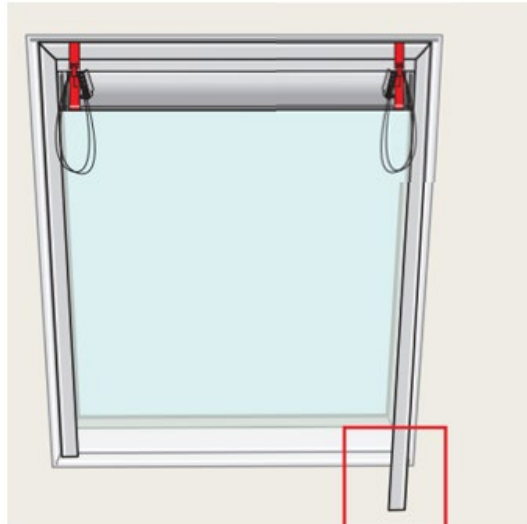
Shade Quick Guide



Instruction for Replacing Factory Installed Shade with KWL Shade on Venting Skylights, FCM and QPF Skylights

5

Click bottom of siderail into place by sliding rail behind the mounting bracket.



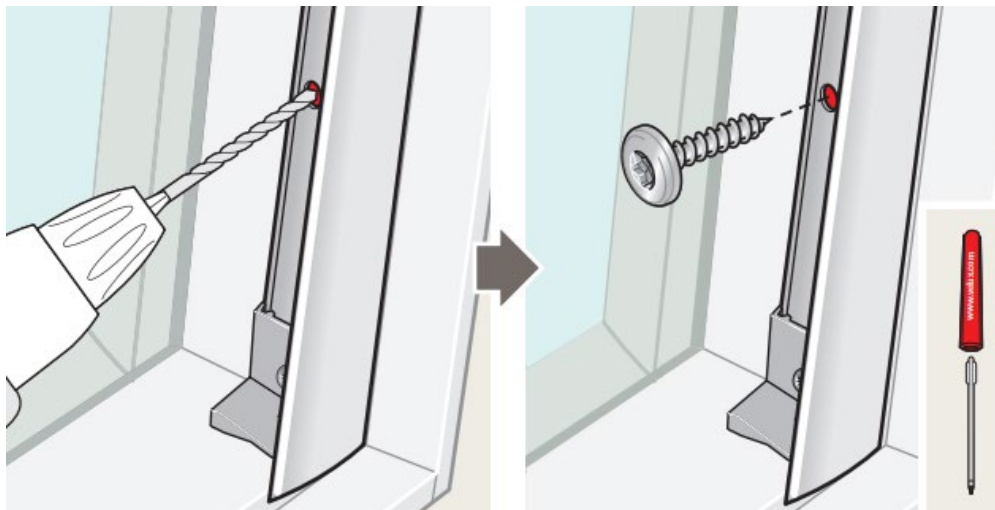
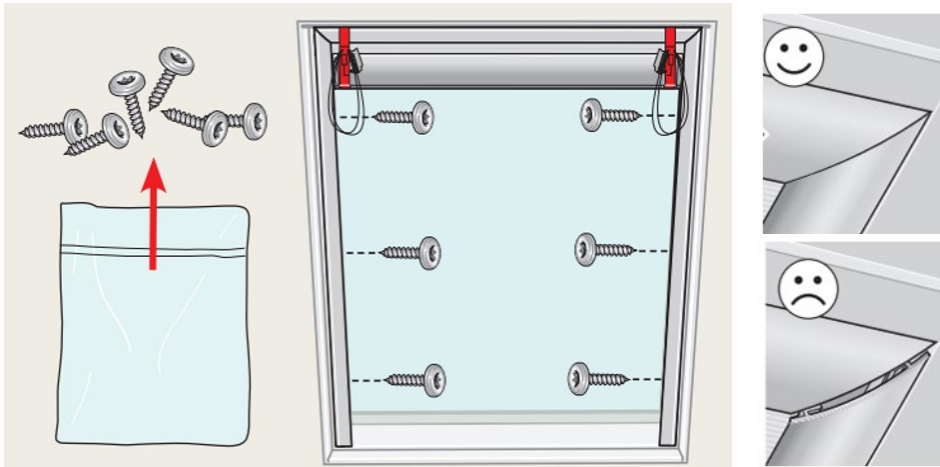
Shade Quick Guide



Instruction for Replacing Factory Installed Shade with KWL Shade on Venting Skylights, FCM and QPF Skylights

6

Drill 1/16" pilot hole and secure side rails with T10 torx screws and driver provided.



Shade Quick Guide

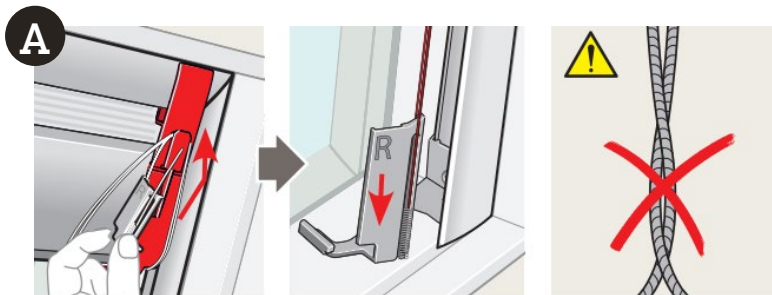
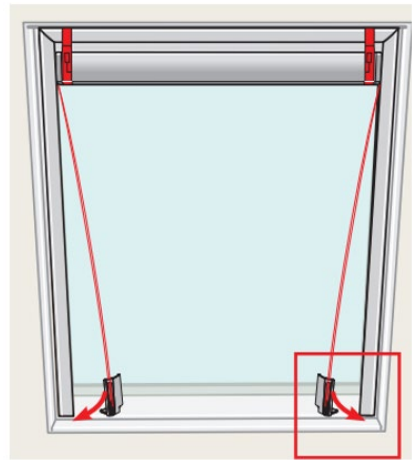


Instruction for Replacing Factory Installed Shade with KWL Shade on Venting Skylights, FCM and QPF Skylights

7 (A) Remove cord from red clips and extend to bottom of side rail. Ensure cords are straight and not twisted or knotted.

(B) Insert cord foot into side rail channel with bottom of cord foot under the lower bracket.

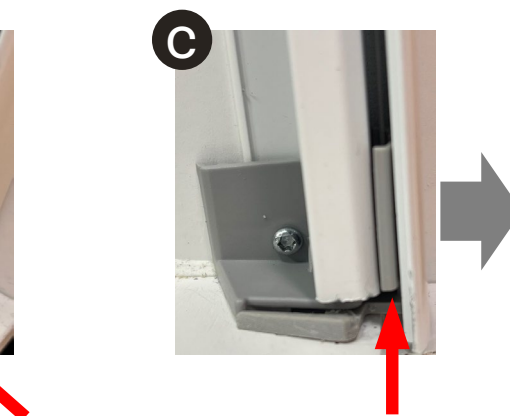
(C) Push cord foot completely into channel until it clicks into place. Cord foot plastic piece cannot be seen in side rail channel if properly installed.



Cord foot cannot be seen when properly installed



Slide cord foot under gray plastic lower rail bracket



Insert cord foot into side rail channel

Cord foot is not completely inserted here.



Cord foot fits tight to bracket

Shade Quick Guide



Instruction for Replacing Factory Installed Shade with KWL Shade on Venting Skylights, FCM and QPF Skylights

- 8 Remove red shipping clips and discard.

